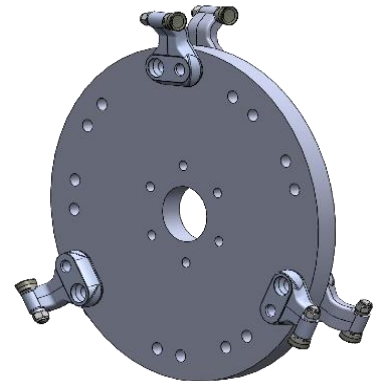


Performance Upgrade Installation

Rayco Jrs & Super Jrs

6-Pocket Upgrade for wheels without
counterbalancing holes



If you have any questions or concerns, *please call 1-800-473-3683*



BEFORE YOU BEGIN

Read these instructions completely and carefully

- **Note to installer** – Be sure to leave these instructions for the consumer's use
- **Note to consumer** – Keep these instructions with your Owner's Manual for future reference
- **Skill level** – Installation of the wheel requires intermediate mechanical skills. Proper installation is the responsibility of the installer. Product failure due to improper installation is not covered under any warranty
- **Helpful tips** – When installing a new v-belt it is recommended to check belt tension after 1 hour, 5 hours, 10 hours and 25 hours of machine operation as the belt will stretch.

IMPORTANT - Before you continue, please check the packing list to make sure it matches the contents of the boxes.



Disconnect Power

to machine to prevent any machine components from moving before proceeding. Failure to do so could result in death or serious injury.

FOR YOUR SAFETY read and observe all **CAUTIONS** and **WARNINGS** shown throughout these instructions. While performing the installations that are described in this booklet, gloves & safety glasses or goggles should be worn at all times.

Installation Preparation

TOOLS SUPPLIED:

½" Drive, ½" 6pt Impact Allen Wrench Socket

TOOLS YOU WILL NEED:

5/8" Socket Wrench

½" Drive Torque Wrench

Green-Seize™

Wire Brush

TORQUE SETTINGS:

900 Series Nut: 35ft. lbs. (47Nm)

LoPro™ Bolt (lubricated with **Green-Seize™**): 180ft. lbs.

LoPro™ Bolt (dry): 240ft. lbs.

MANUFACTURER'S PARTS LIST:

<i>Part Number</i>	<i>Description</i>
926-WS2	900 Series Wearsharp™ 2-Sided Tooth, For Wheels 22" & Smaller
900LP-A	900 Series LoPro™ Pocket - Angle
LP-200 or LP-212	2" or 2-1/2" LoPro™ Bolt
RAYCO-BELT*	Band 2/A66 Belt For Rayco Upgrade
RAYCO-SHEAVE*	2 Grooved Sheave
RAYCO-GUARD	Wheel Chip Guard

**If your machine already has a 9" sheave, then you will not need to replace your belt & sheave*

Green Manufacturing, Inc.
9650 Packard Rd
Morenci, MI 49256
Phone 800.473.3683 • Fax 517.458.1550



Table of Contents

Belt & Sheave Installation Instructions	4
Assembly Instructions.....	9
Upgrade Assembly Diagram.....	11
Split Taper Bushing Removal & Installation Instructions	12
Greenteeth [®] Guarantee.....	13
Material Safety Data Sheet	14

Belt & Sheave Installation Instructions



If your machine already has a 9" sheave, it is not necessary for you to install the new belt & sheave. In this case, please proceed to page 9

1. Remove clutch assembly guard bolts and remove cover. (Figure 1.1)



Figure 1.1

2. Remove initial drive cover bolts and remove cover. (Figure 1.2)



Figure 1.2

3. Loosen four (4) motor mount bolts. Back the motor mount adjustment bolt off approximately 1". (Figure 1.3)

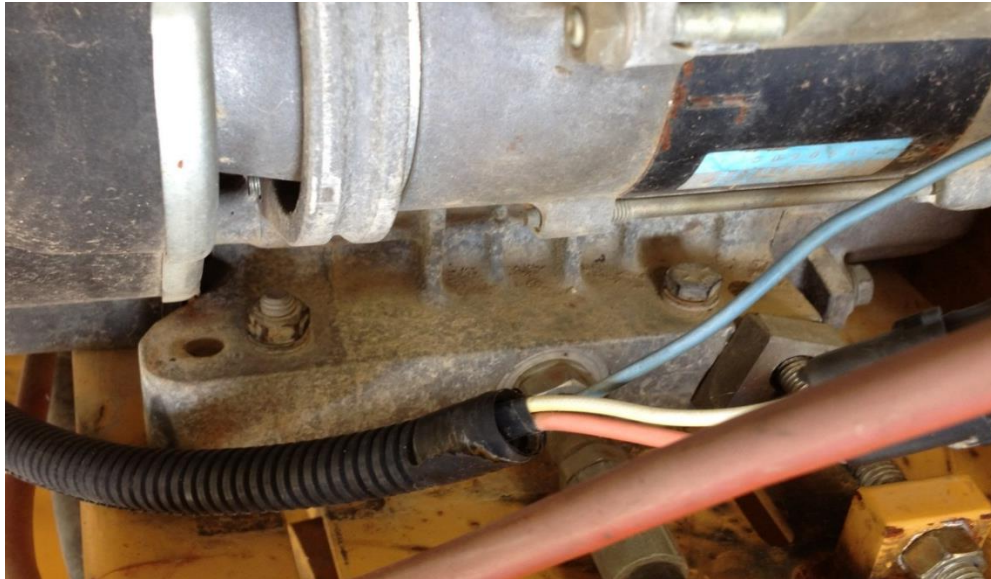


Figure 1.3

4. Slide engine towards cutter wheel to loosen initial drive belt.
5. Loosen & remove the 15/16" shaft bolt in the center of clutch. It may take several taps to initially loosen the bolt. Remove clutch assembly and set off to the side. (Figure 1.4)



Figure 1.4

6. Remove initial drive belt. Set it off to the side. It will be replaced with the new belt included in your performance upgrade kit.

7. Measure from back of initial drive cover to front of jack shaft sheave. Record this measurement here, as you will need it for reassembly. (Figure 1.5)

Sheave Measurement Notes:



Figure 1.5

8. Remove jackshaft sheave. **Follow bushing removal instructions found on page 12.** (Figure 1.6 & 1.7)



Figure 1.6

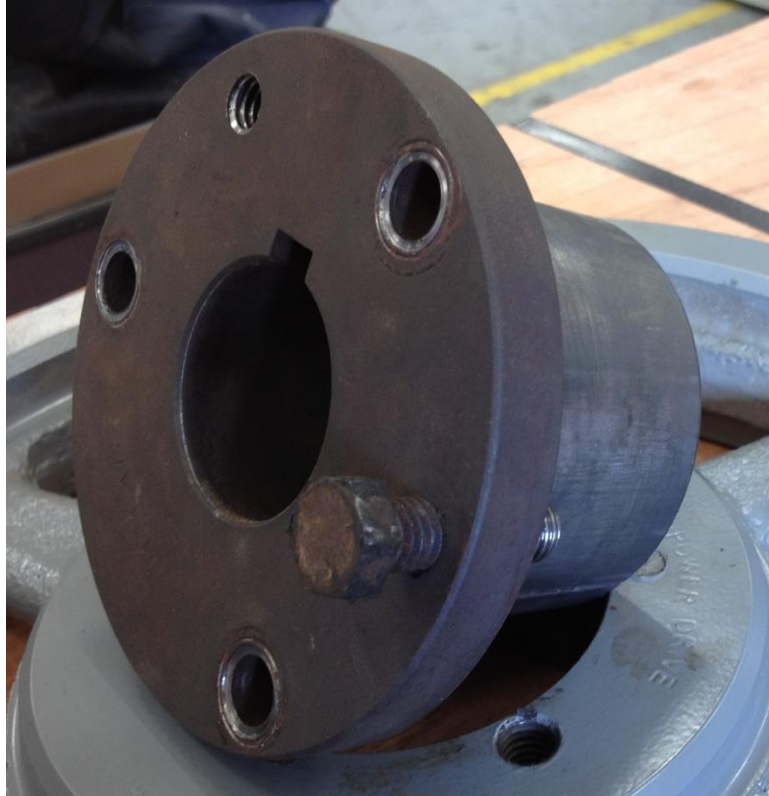


Figure 1.7

9. Subtract $5/8''$ from the previously recorded measurement in step 9 of disassembly instructions. Install the new sheave with the manufacturer's bushing to this measurement. Remember to clean the jackshaft and bushing to ensure smooth installation. **Follow bushing installation instructions on page 12.** (Figure 1.8)



Figure 1.8

10. Install the new belt included with your upgrade setup. **Note: When new belts are being installed it is advised to check belt tension after 1 Hour, 5 Hours, 10 Hours and 25 Hours of machine operation as the belt will stretch.**

Belt Tension Check: 1 Hour 5 Hours 10 Hours 25 Hours

11. Reinstall clutch assembly.
12. Tighten engine mount tensioner checking periodically to ensure proper tension to initial drive belt.
13. Once proper tension to the initial drive belt is achieved, tighten motor mount nuts and bolts.
(Figure 1.9)



Figure 1.9

14. Reinstall initial drive cover.
15. Reinstall clutch assembly cover.

Assembly Instructions

1. Locate a pocket set with straight pockets on your wheel. This should be one of the pocket sets extending the furthest away from the center of the wheel. **Please refer to the Upgrade Assembly Diagram found on page 11.**
2. Remove one set of straight pockets. Notice that you will be replacing this set of straight pockets with a set of angle pockets that you received with your upgrade kit.
3. Using a wire brush, clean both sides of the wheel where it will come in contact with the pockets. Be sure to remove all dirt and debris so the pocket is seated tightly against the wheel.
4. Apply **Green-Seize™** to the threaded end of two **LoPro™** bolts.
5. Install a **LoPro™** bolt into the counter-bored hole of each of the pockets.
6. Slide the bolts through the empty holes in the wheel and thread them into the adjacent pocket's threaded holes. For now, firm up the bolts until pockets are seated. (Figure 2.1)
7. Proceed to the pocket set below the new pocket set you just installed. This should be an angle pocket set. Remove these pockets. Note that you will be leaving this area blank.
8. Proceed to next pocket set. This should be another angle pocket set. Remove these pockets. Note that you will be leaving this area blank, as well.
9. Following the **Upgrade Assembly Diagram on page 11**, proceed to the next pocket set. This should be a straight pocket set, located furthest from the center of the wheel.
10. Following steps 2 through 6, replace this set of pockets with the angle pockets you received with your Upgrade Kit.
11. Continuing around your wheel, remove the next two sets of angle pockets, leaving those spots blank.
12. Following the **Upgrade Assembly Diagram on page 11**, proceed to the final set of pockets. This should be a straight pocket set, located furthest from the center of the wheel.
13. Following steps 2 through 6, replace this set of pockets with the angle pockets you received with your Upgrade Kit.
14. Your wheel should now match the **Upgrade Assembly Diagram on page 11**.

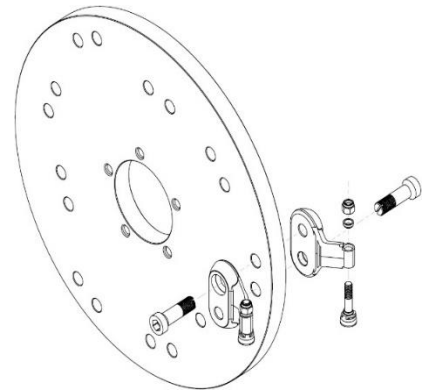


Figure 2.1

15. Make sure the pockets are seated on the wheel and the bolts are seated in the pockets. Continue tightening your **LoPro™** bolts until they are all torqued to 180ft. lbs. (240ft. lbs. dry)

16. Install your teeth with the carbide facing down. The shoulder of the tooth will meet the flat indent of the pocket and the tooth will not rotate. Insert the spacer over shank, with the chamfer down, then thread one of the lock nuts onto the top portion of the tooth. Hand tightening is good for now. Repeat until all teeth are installed. (Figure 2.2)

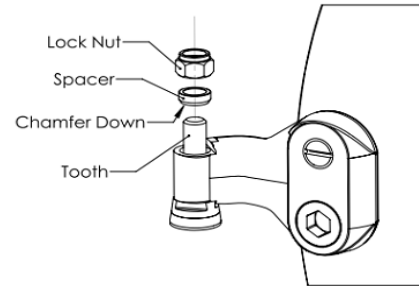


Figure 2.2

17. Before torquing your tooth down, first make sure that the tooth is seated properly in the pocket. Then tighten the top nut until the tooth is firmly seated and torqued to 35 ft. lbs. (47 Nm). You may need to hold the tooth in place. Repeat until all teeth are properly torqued.



Over-tightening the nut will stretch the threads and degrade the fasteners ability to retain the tooth.

18. Once all pockets and teeth are torqued properly, manually rotate the cutter wheel to ensure there is adequate clearance for the newly installed setup. If any teeth are rubbing or hitting on any part of the machine, do not proceed further. Remove the obstructed tooth/teeth and call Green Manufacturing, Inc. right away.

19. If determined that there are no obstructions, reconnect power to the machine.

20. Start the machine engine and engage the wheel.

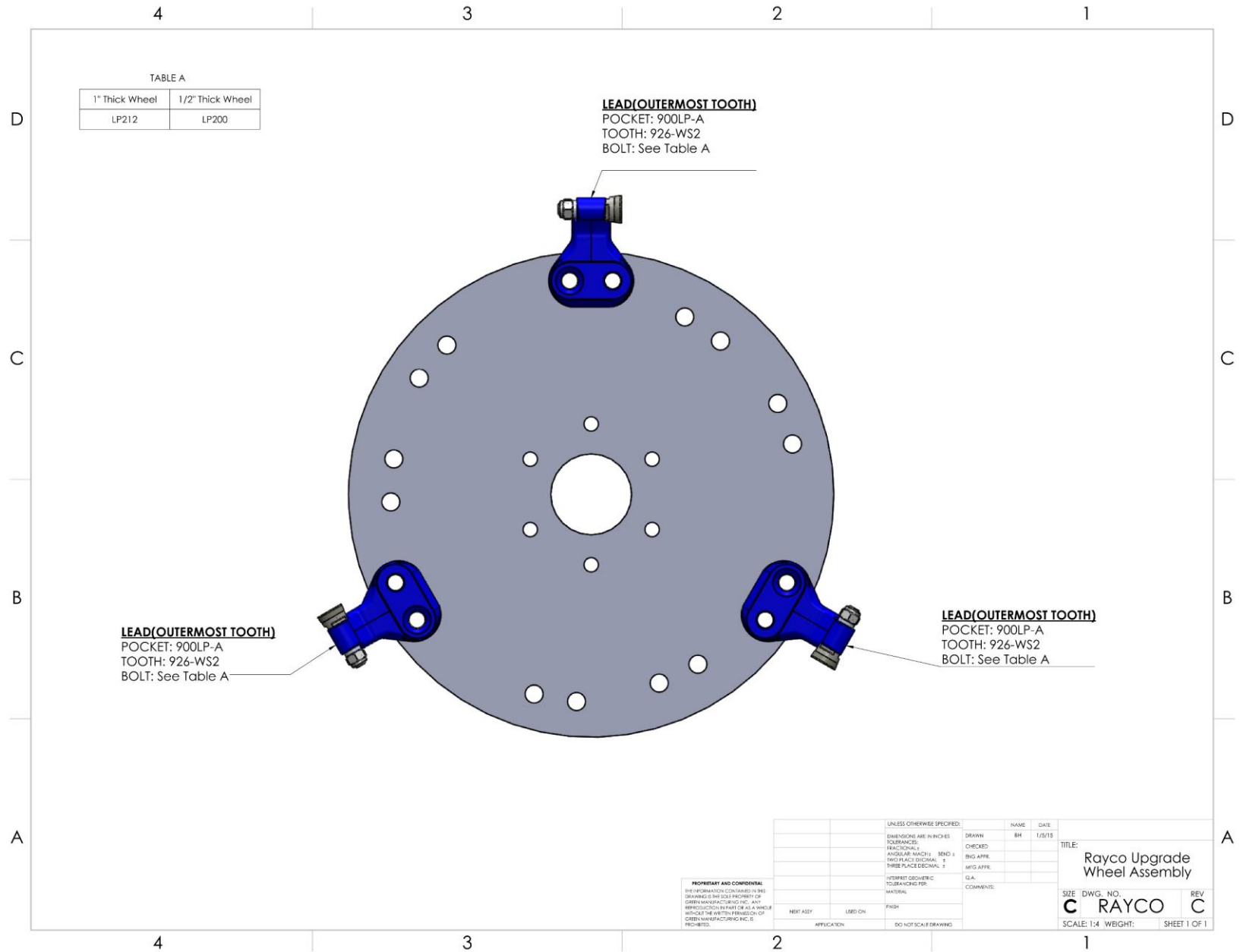
21. Ensure there are no noises emanating from the upgrade installation

Please note that all fasteners, whether they are nuts or bolts, can loosen up from time to time due to vibration. We recommend that you check your bolts weekly.

If you dull or damage a cutting edge, you can rotate your tooth by following these steps:

- Loosen the nut with a standard wrench
- Tap the tooth down
- Rotate the tooth
- Reposition the tooth in its seat
- Retighten the nut to the proper torque specifications

Upgrade Assembly Diagram



Split Taper Bushing Removal & Installation Instructions



Warning: Use of Anti-Seize lubricant on tapered cone surfaces or on bolt threads when mounting may result in damage to sheaves. This voids all manufacturers' warranties.

1. To Remove From Shaft:
 - a. Remove capscrews and insert them into tapped holes in bushing flange. (Figure 4.1)
 - b. Tighten progressively until bushing disengages.
 - c. Remove assembly from shaft.
2. Installation Instructions:
 - a. Wipe bushing barrel, bushing bore and shaft clean with a soft dry cloth. Remove paint & other foreign material from bore of mating part. **Do not lubricate bushing, bore of mating part, shaft or capscrews.**
 - b. Put bushing loosely into hub. Start capscrews by hand, turning them just enough to engage threads. Do not use a wrench at this time.
 - c. Slide assembly onto shaft. Line up drive components.
 - d. Tighten capscrews progressively with a torque wrench until each has been tightened to correct torque. (Table 1.1)

Bolt Torque Table		
Bushing Type	Cap Screw Size	Wrench Torque in./lbs.
P	5/16 - 18	192
Q	3/8 - 16	348
SK	5/16 - 18	180
SF	3/8 - 16	360

Table 1.1



Figure 4.1
(Bushing Only Pictured)

GREENTEETH™ GUARANTEE

NEW SETUPS AND FIRST TIME CUSTOMERS:

If you purchase a **Greenteeth®** setup and are not completely satisfied with its performance, please contact Green Manufacturing at 800.473.3683 to request a return authorization within 30 days of purchase date for a product refund or exchange.

WARRANTY:

If you are not completely satisfied with your purchase, please contact Green Manufacturing, Inc. at 800.473.3683 to request a return authorization within 30 days of purchase date for a product refund or exchange. We strive to provide exceptional quality products. Our products undergo a stringent quality control process, however if you feel that there is an issue with the quality of your product, please contact Green Manufacturing, Inc. immediately. We will accept unused parts for return or exchange for up to 30 days from the date of purchase with proof of purchase included with the return.

Seller's warranties against defects and non-conformities and defects shall continue to apply only so long as the Goods: (i) have been installed, maintained and used in conformity with instructions furnished by Seller from time to time, if any, and otherwise in conformity with the highest industry practices; (ii) have been subjected to normal use for the purpose for which the Goods were designed; (iii) have not been subjected to misuse, negligence or accident; (iv) have not been altered or repaired by persons other than Seller or Seller authorized warranty service providers in any respect which, in the judgment of Seller, adversely affects the condition or operation of the Goods; and (v) have been fully paid for. IN NO EVENT SHALL SELLER BE LIABLE FOR ANY SPECIAL, INDIRECT, EXEMPLARY, INCIDENTAL, CONSEQUENTIAL, OR PUNITIVE LOSSES OR DAMAGES (INCLUDING, WITHOUT LIMITATION, BUSINESS INTERRUPTION, REVENUE OR PROFITS, FEES OR FINES), EVEN IF SELLER HAS BEEN ADVISED OR MADE AWARE OF THE POSSIBILITY OF ANY SUCH LOSSES OR DAMAGES AND REGARDLESS OF WHETHER THE CLAIM IS BASED ON CONTRACT, TORT, STRICT LIABILITY, OR OTHER THEORY OF LIABILITY. Seller's cumulative liability for all losses and damages under these General Terms and Conditions or under any of the Related Agreements (including, without limitation, those arising out of contract tort (including negligence), strict liability, warranty, or other theory of liability) shall not exceed (a) in the case of any services provided or to be provided by Seller, the amount of the fees payable by Buyer for such services under the applicable Related Agreement, and (b) in the case of any products or devices provided or to be provided by Seller, the amount of Seller's labor services associated with the product sale. Seller reserves the right to make, without notice to Buyer, alterations to a product that do not materially affect agreed specifications or the product's form, fit or function.

Greenteeth® are proudly manufactured in the USA by Green Manufacturing, Inc.

Green Manufacturing, Inc.
9650 Packard Rd
Morenci, MI 49256
Phone 800.473.3683 • Fax 517.458.1550



MATERIAL SAFETY DATA SHEET

I - PRODUCT IDENTIFICATION

Trade Name: Tungsten Carbide **Chemical Family:** Refractory Metal Alloy

Chemical Formula: WC **CAS#:** 12070-12-1

II - HAZARDOUS INGREDIENTS

Hazardous Components % OSHA/PEL ACGIH/TLV Sec. 302 Sec. 304 Sec. 313

Tungsten Carbide 0-100 N/E N/E No No No

Tungsten compounds 0-100 5 mg/m³ C - 1 0 mg/m³ No No No

HM IS Ratings (0-4): Health: 3 **Flammability:** 0 **Reactivity:** 0

HM IS Protective Equipment: H: glasses, gloves, clothing, combo respirator

III - PHYSICAL DATA

Boiling Point: 6000 oC **Melting Point:** 2820 - 2940 oC

Evaporation Rate: N/A % **Volatiles:** N/A

Solubility in H₂O: Insoluble **Vapor Pressure:** N/A

Vapor Density: N/E **Specific Gravity:** 13.6 gm/cc at 18 oC

Appearance and Odor: Grey to black powder, odorless **Molecular Weight:** 195.86

IV - FIRE AND EXPLOSION HAZARDS DATA

Flash Point: N/A **Flammability:** Non-Flammable

Explosive Limits: Lower: N/A **Upper:** N/A

Extinguishing Media: Use suitable extinguishing media for surrounding materials and type of fire.

Special Fire Fighting Procedures: Firefighters must wear full face, self-contained breathing apparatus with full protective clothing to prevent contact with skin and eyes. Fumes from fire are hazardous. Isolate runoff to prevent environmental pollution.

Unusual Hazard: Dusts may present a fire or explosion hazard under rare favoring conditions of particle size, dispersion, and strong ignition source. However, this is not expected to be a problem under normal handling conditions.

V - HEALTH HAZARD INFORMATION

Routes of Entry: Inhalation, ingestion, skin or eye contact (for dusts, mists, powder, and fume).

Effects of Overexposure: Industrially tungsten does not constitute an important health hazard. Exposure is related chiefly to the dust arising out of the crushing and milling operations. Chronic inhalation of the dust may cause lung damage in humans. Heavy exposure to the dust or the large amounts of the soluble compounds produces changes in body weight, behavior, blood cells, choline esterase activity and sperm in experimental animals.

Acute Effects:

Inhalation: Toxic by inhalation. May cause irritation to the mucous membranes, coughing, dyspnea, soreness in the chest, weight loss, hemoptysis, bronchitis, asthma, pulmonary fibrosis and radiological changes in the lungs.

Ingestion: May cause irritation to the gastrointestinal tract and diarrhea.

Skin: May cause irritation.

Eye: May cause irritation.

Chronic Effects:

Inhalation: May cause damage to the lungs.

Ingestion: No chronic health effects recorded.

Skin: May cause dermatitis, sensitization and eczema.

Eye: May cause conjunctivitis.

Medical Conditions Generally Aggravated by Exposure: Pre-existing respiratory and skin disorders.

Target Organs: May affect the respiratory system.

Carcinogenicity: NTP: No IARC: No OSHA: No

EMERGENCY AND FIRST AID PROCEDURES:

INHALATION: Remove victim to fresh air. Keep warm and quiet, give oxygen if breathing is difficult and seek medical attention.

INGESTION: If conscious, give 1-2 glasses of milk or water and induce vomiting (Never induce vomiting or give anything by mouth to an unconscious person). Seek medical attention.

SKIN: Remove contaminated clothing from affected area, brush material off skin. Wash affected area with mild soap and water. Seek medical attention if symptoms persist.

EYE: Flush eyes with lukewarm water, lifting upper and lower eyelids, for at least 15 minutes. Seek medical attention if symptoms persist.

VI - REACTIVITY DATA

Stability: Stable

Conditions to Avoid: None

Incompatibility (Material to Avoid): Chlorine, fluorine, nitrogen dioxide, nitrous oxide, iodine pentafluoride and lead oxide.

Hazardous Decomposition Products: None recorded.

Hazardous Polymerization: Will not occur

VII - SPILL OR LEAK PROCEDURES

Steps to Be Taken in Case Material Is Released or Spilled: Wear appropriate respiratory and protective equipment specified in Section VIII. Isolate spill area and provide ventilation. Vacuum up spill using a high efficiency particulate absolute (HEPA) air filter and place in a closed container for proper disposal. Take care not to raise dust.

Waste Disposal Method: Dispose of in accordance with all local, state, and federal regulations.

VIII - SPECIAL PROTECTION INFORMATION

Respiratory Protection: NIOSH approved dust, mist, and vapor cartridge respirator.

Ventilation: Use local exhaust ventilation which is adequate to limit personal exposure to airborne dust levels which do not exceed the appropriate PEL or TLV. If such equipment is not available, use respiratory protection as specified above.

Protective Gloves: Rubber gloves.

Eye Protection: Safety glasses.

Other Protective Clothing or Equipment: Protective gear suitable to prevent contamination.

IX - SPECIAL PRECAUTIONS

Precautions to Be Taken in Handling and Storage: Store in a tightly sealed container in a cool, dry, well-ventilated area. Wash thoroughly after handling.

Other Precautions: Implement engineering and work practice controls to reduce and maintain concentration of exposure at low levels. Use good housekeeping and sanitation practices. Do not use tobacco or food in work area. Wash thoroughly before eating or smoking. Do not blow dust off clothing or skin with compressed air.

The above information is believed to be correct, but does not purport to be all inclusive and shall be used only as a guide. Green Manufacturing, Inc. shall not be held liable for any damage resulting from handling or from contact with the above product.